



INSTRUCTION BULLETIN

No. 9005458
Machine: S30/S30 X4/
S30 XP
Published: 08-2008
Rev. 00

NOTE: DO NOT DISCARD the Parts List from the Instruction Bulletin. Place the Parts List in the appropriate place in the machine manual for future reference. Retaining the Parts List will make it easier to reorder individual parts and will save the cost of ordering an entire kit.

NOTE: Numbers in parenthesis () are reference numbers for parts listed in Bill of Materials.

Installation instructions for **kit number 9005449**

SYNOPSIS:

This kit contains the parts needed to install a mirror kit on S30, S30 XP, and S30 X4 sweepers. Please follow step-by-step instructions.

SPECIAL TOOLS / CONSIDERATIONS: NONE

(Estimated time to complete: 1 hour)

PREPARATION:

1. Park the machine on a clean level surface, turn off the machine, remove the key, and set the parking brake.

FOR SAFETY: Before leaving or servicing machine, stop on level surface, turn off machine, and remove key.

INSTALLATION:

1. Remove the top cover from the cab. Set the cover and hardware aside. Refer to Fig. 1.

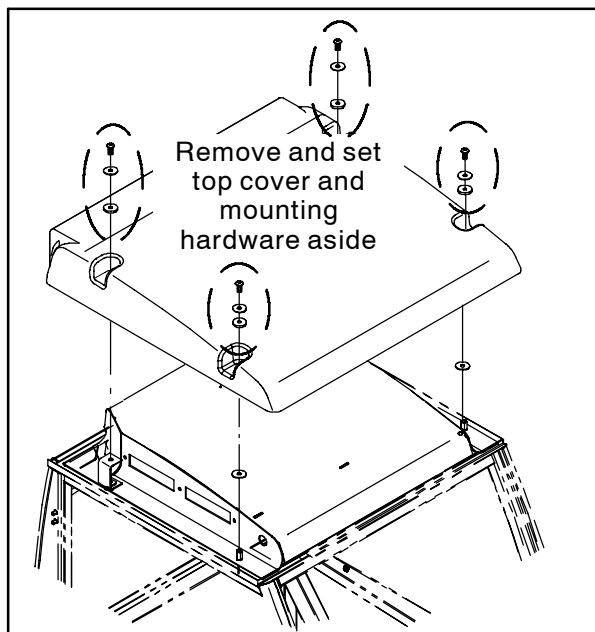


FIG. 1

2. Cut 2"-3" from the seal located at the top front corner of the cab to make room to install the mirror mounting bracket (1) onto the cab. Refer to Fig. 2.

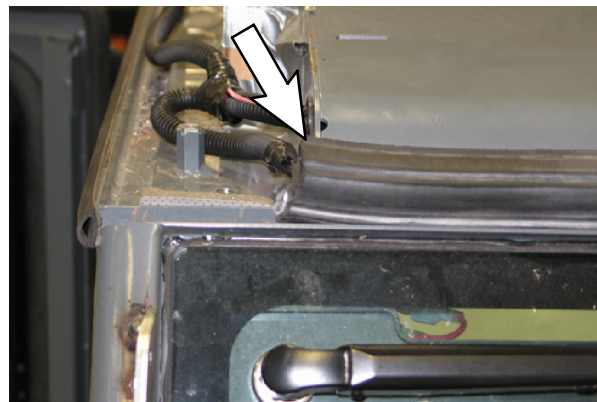


FIG. 2

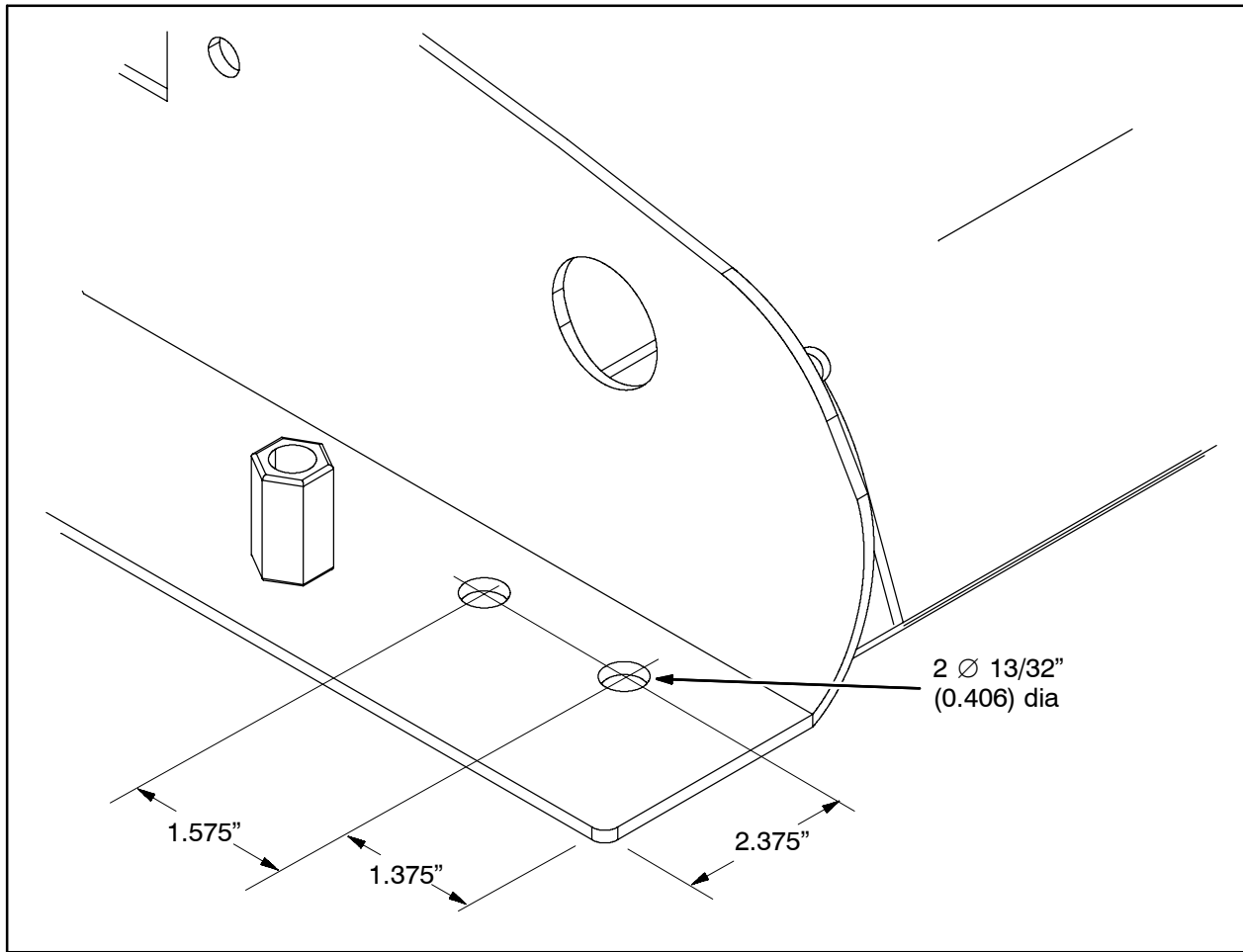


FIG. 3

3. Drill two 13/32" holes through the top of the cab and into the operator compartment. Refer to Fig. 3.
4. Use two hex screws (2), four flat washers (3), and two hex nuts (4) to install the mirror mounting bracket (1) onto the top of the cab. Refer to Fig. 3, Fig. 4, and Fig. 5.

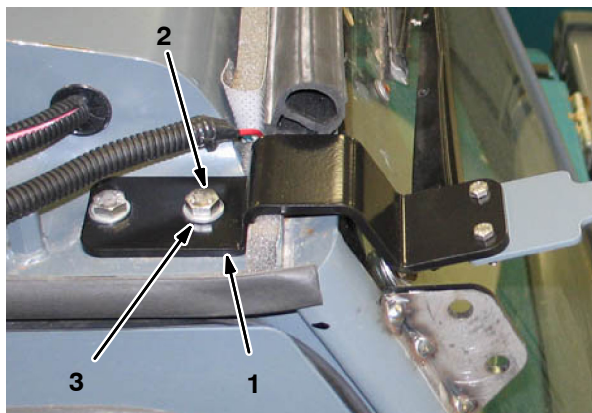


FIG. 4

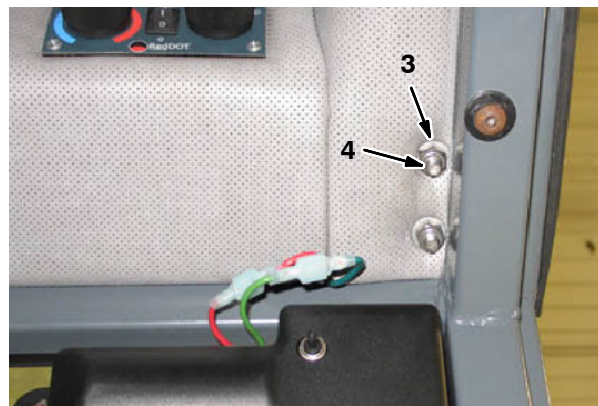


FIG. 5

- Use two hex screws (6) and two hex nuts (7) to install the mirror bracket (5) onto the mirror mounting bracket (1). Refer to Fig. 6 and Fig. 7.

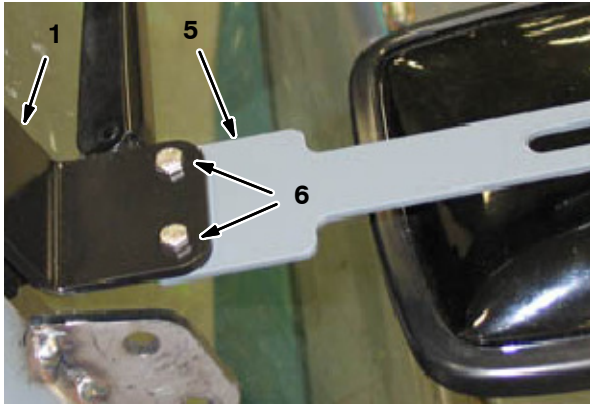


FIG. 6

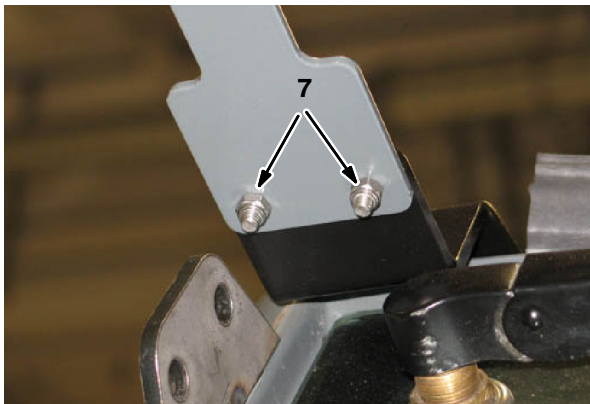


FIG. 7

- Use the hardware included with the mirror (8) to install the mirror onto the mirror bracket (5). Refer to Fig. 8.



FIG. 8

- Remove the existing button head screw and flat washer from inside the cab and use them to install the mirror mounting bracket (13) inside the cab. Refer to Fig. 9.



FIG. 9

- Use the hardware included with the mirror (8) to install the mirror onto the mirror bracket (13). Refer to Fig. 9.
- Remove the two pan screws from the right side of the control panel and use them to install the lower mirror mounting bracket (9) onto the control panel. Refer to Fig. 10.

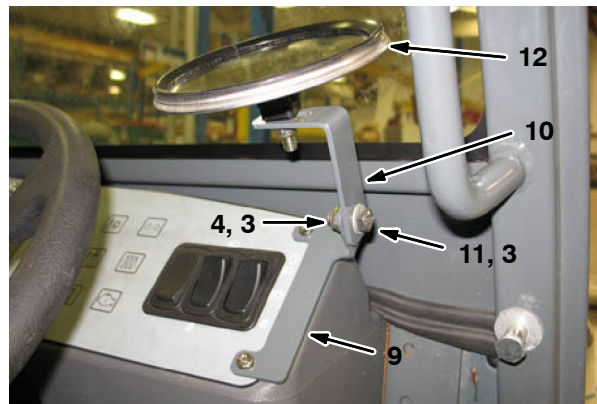


FIG. 10

- Use a hex screw (11), two flat washers (3), and a hex nut (4) to install the upper mirror mounting bracket (10) onto the lower mirror mounting bracket (9). Refer to Fig. 10.
- Use the hardware included with the mirror (12) to install the mirror onto the upper mirror mounting bracket (10). Refer to Fig. 10.
- Reinstall the cab top cover. Refer to Fig. 1.

Bill of Materials for Mirror Kit, Cab [S30] - 9005449

	Ref.	Tennant Part No.	Description	Qty.
▽		9005449	Mirror Kit, Cab [S30]	1
▲	1	1048772	Bracket, Mtg, Mirror	1
▲	2	09010	Screw, Hex, M8 X 1.25 X 25, SS	2
▲	3	39349	Washer, Flat, 0.31, SAE	6
▲	4	08713	Nut, Hex, Lock, M8 X 1.25, NL, SS	3
▲	5	1049117	Bracket, Mirror	1
▲	6	24199	Screw, Hex, M5 X 0.80 X 16, SS	2
▲	7	09739	Nut, Hex, Lock, M5 X 0.80, NL, SS	2
▲	8	49034	Mirror, Convex, 06.7 X 06.2	2
▲	9	1048740	Bracket, Mtg, Mirror, Lower	1
▲	10	1049017	Bracket, Mtg, Mirror, Upper	1
▲	11	09740	Screw, Hex, M8 X 1.25 X 20, SS	1
▲	12	369787	Mirror, Flat, 05.1ID	1
▲	13	1048743	Bracket, Mtg, Mirror	1

TENNANT COMPANY
P. O. Box 1452
Minneapolis, MN 55440-1452